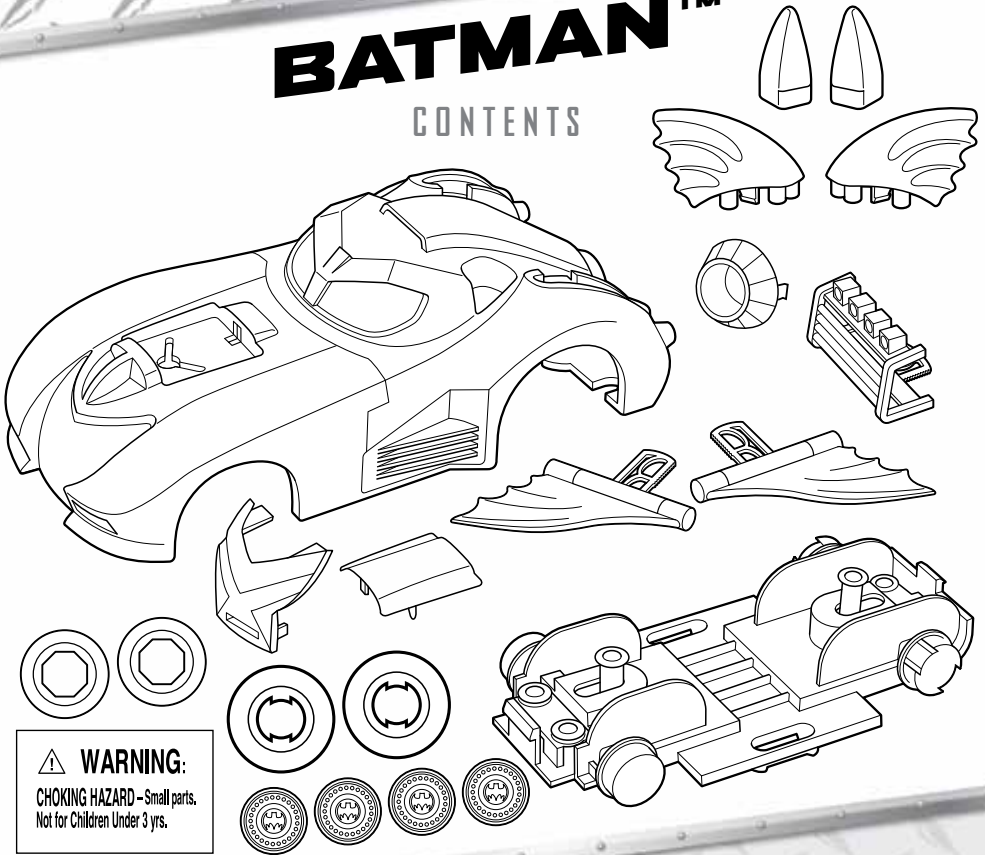




# INSTRUCTIONS

## BATMAN™

### CONTENTS



**WARNING:**  
CHOKING HAZARD - Small parts.  
Not for Children Under 3 yrs.

Contents: 1 XTREME CUSTOMZ™ Vehicle, Accessories

Please keep packaging for future reference.

BATMAN and all related characters and elements are trademarks of and © DC Comics.

WB SHIELD: TM & © Warner Bros. Entertainment Inc.  
(s12)

© 2012 RIDEMAHERZ, LLC. All Rights Reserved.

MADE IN CHINA. Manufactured for RIDEMAHERZ, Irvine, CA 92618

XTREME CUSTOMZ is a trademark of RIDEMAHERZ, LLC.

U.S. Patent Numbers: 7,614,707; D556,665; D567,734; D567,744; D567,743; D595,638 and Patents Pending

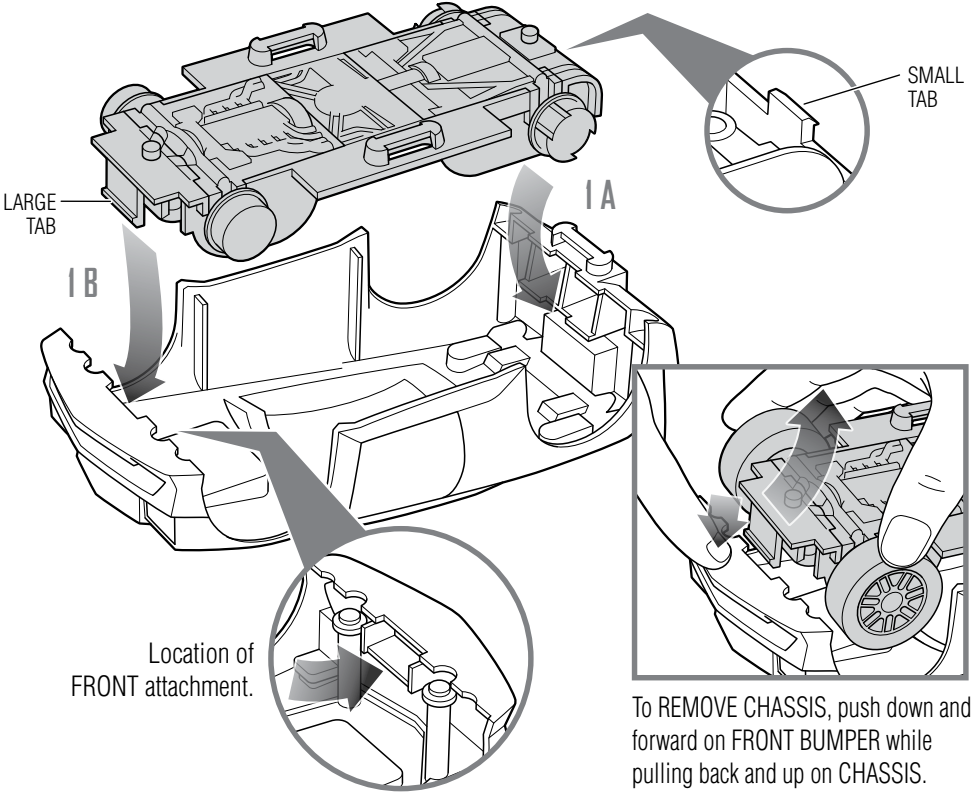
Conforms to the safety requirements of ASTM F963-11

Please remove all packaging materials before giving them to children.

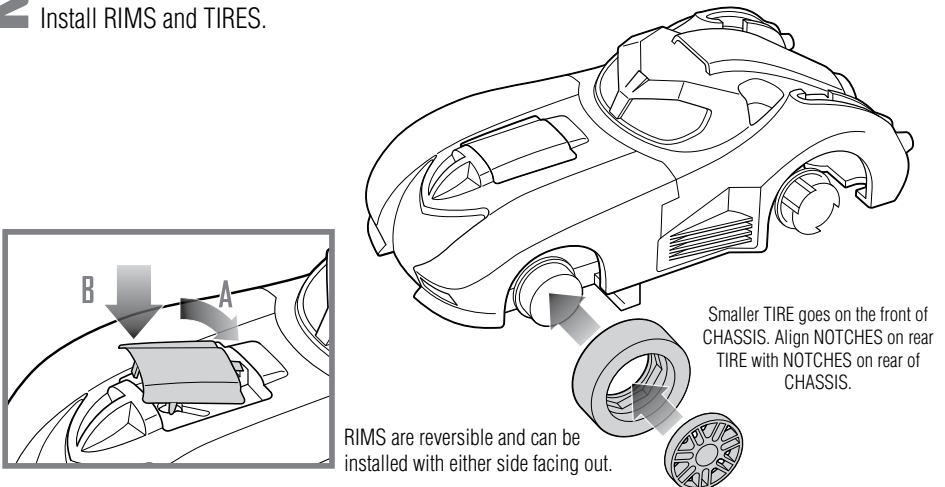


# ASSEMBLY

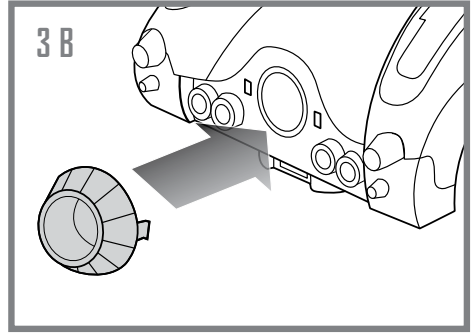
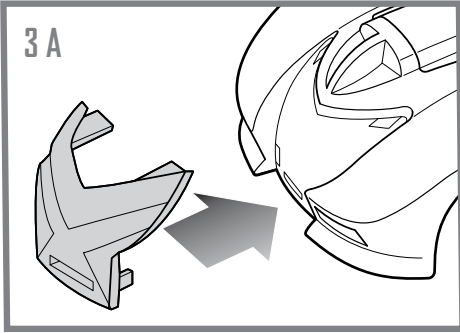
- 1** First, insert the **SMALL TAB** on **REAR** of **CHASSIS** into inside **REAR** of **VEHICLE BODY** ( **1A** ). Then, snap the **LARGE TAB** on **FRONT** of **CHASSIS** into inside **FRONT** of **VEHICLE BODY** ( **1B** ).



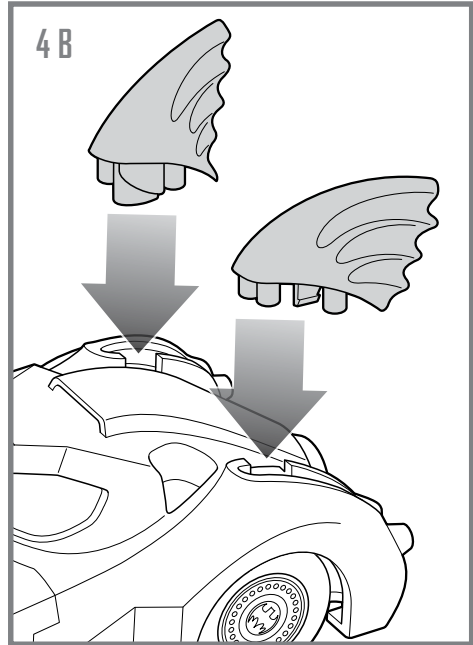
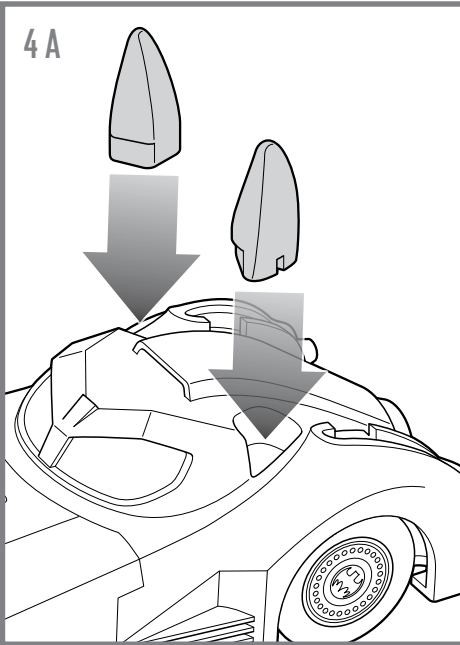
- 2** Install **RIMS** and **TIRES**.



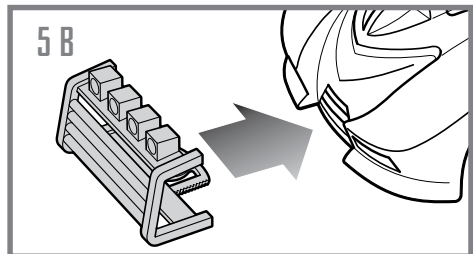
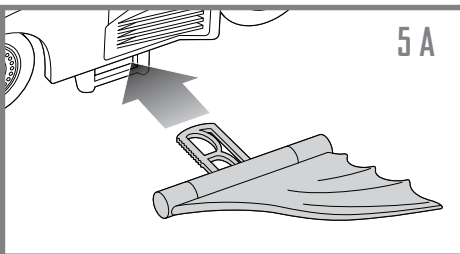
# 3



# 4

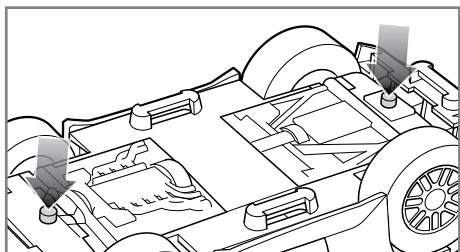


# 5

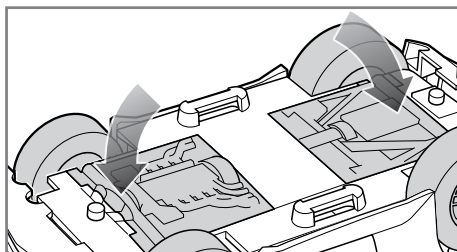




## HOW TO OPERATE THE ADJUSTABLE CHASSIS

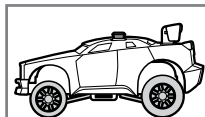
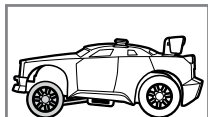
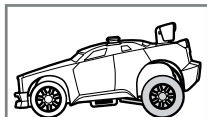
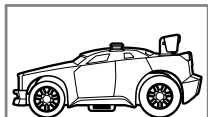


PRESS either the FRONT or REAR BUTTONS to release the WHEELS.



PRESS either of the WHEEL SECTIONS back in to return them to their normal position.

## 4 CHASSIS MODES



VISIT [XTREMECUSTOMZ.COM](http://XTREMECUSTOMZ.COM) FOR FULL LINE OF RIDEZ AND ACCESSORIES

CONTACT US: ServiceCrew@xtremecustomz.com or 1-866-58-RIDEZ (74339) Monday - Friday 7am - 4pm PST